

minchu

Idea is a calling...

Minchu Products & Services LLP

Devaiah KR

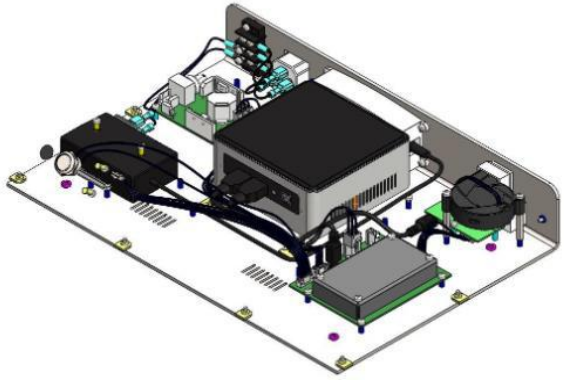
Our Expertise and Offerings

- 1 **Product Design**
 - Creative concepts
- 2 **Engineering Design**
 - Technical functionality
- 3 **Training**
 - Knowledge Enhancement
- 4 **Graphic Design**
 - Interactive Graphics

Product Designs: Diverse Industries



Electronic Enclosures
- Defence



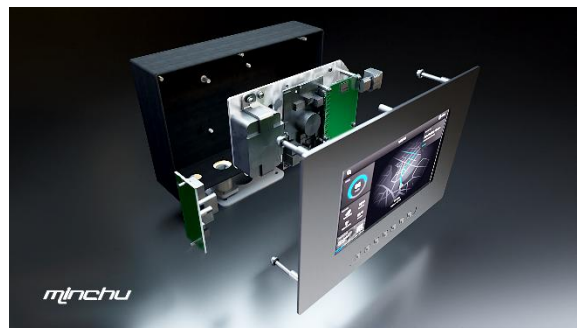
Enclosure - Medical Device



Display Stand
- Retail



EV- Charging Station

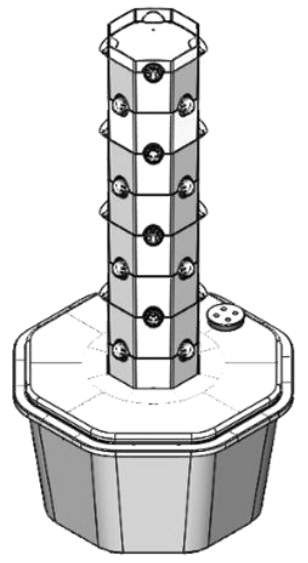


Driver Console
-Automobile

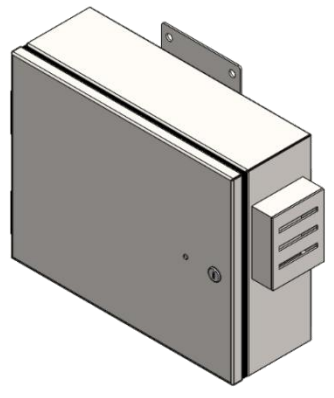


Racks - Servers, Tools
IT & Manufacturing

Product Designs: Diverse Industries



Hydroponics



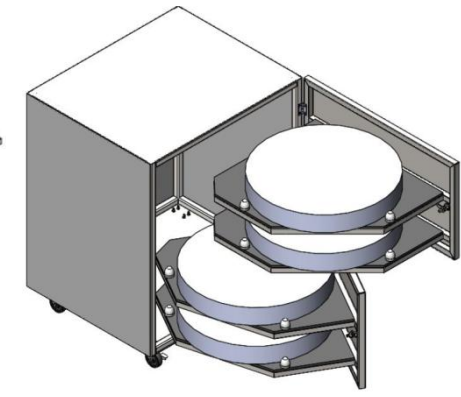
Soil Moisture Measurer



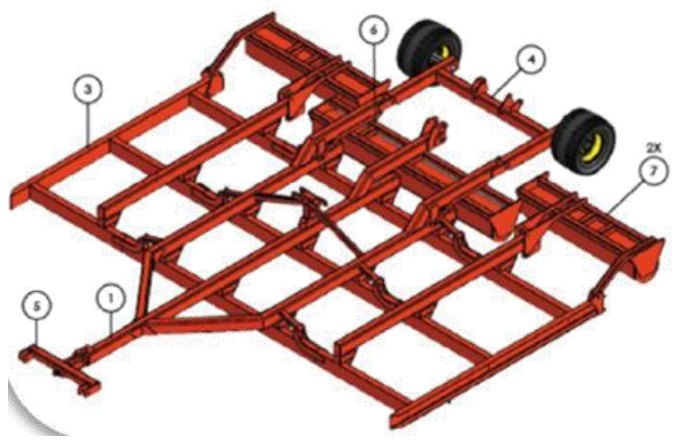
Out door Gym Equipment



Trolley



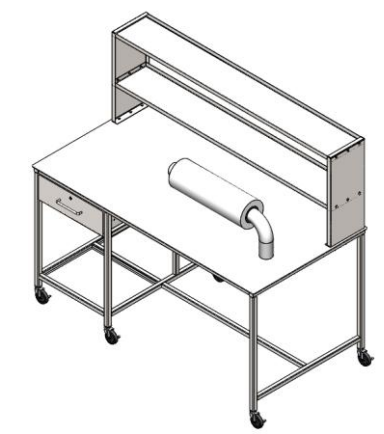
Cabinets



Agriculture related Products

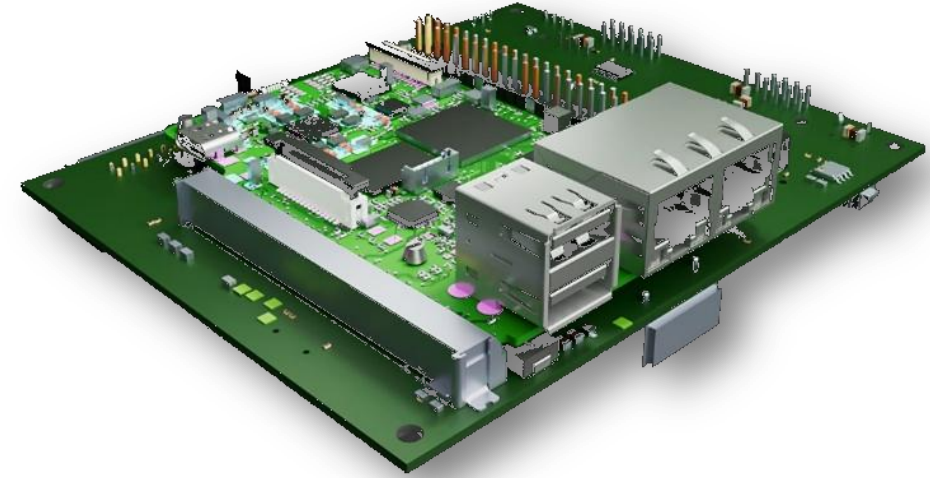
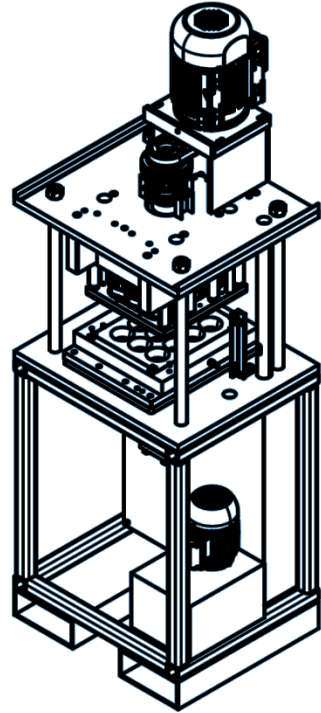
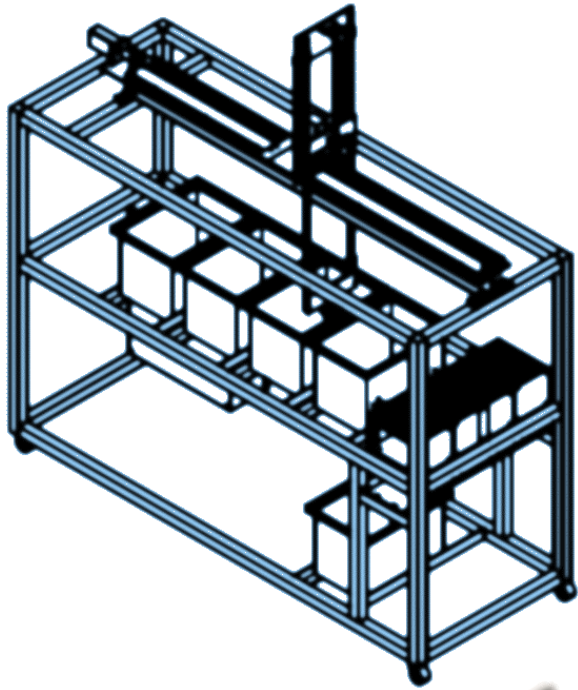


Sit & Reach
Sports & Fitness



Common Products
Automotive, Medical, Food Industry

Engineering Designs: Diverse Industries



SPM - Electro polish – BoneDrilling Bits

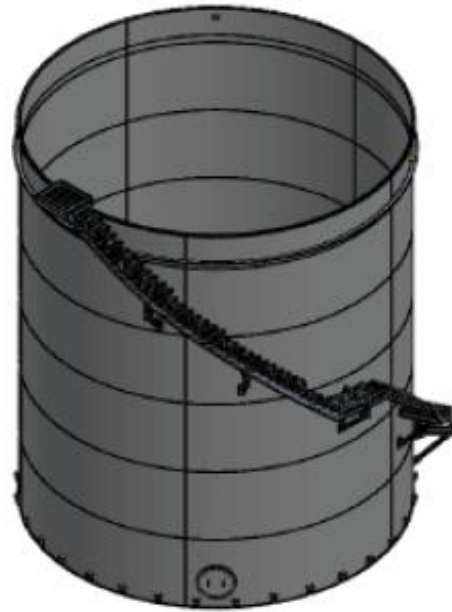
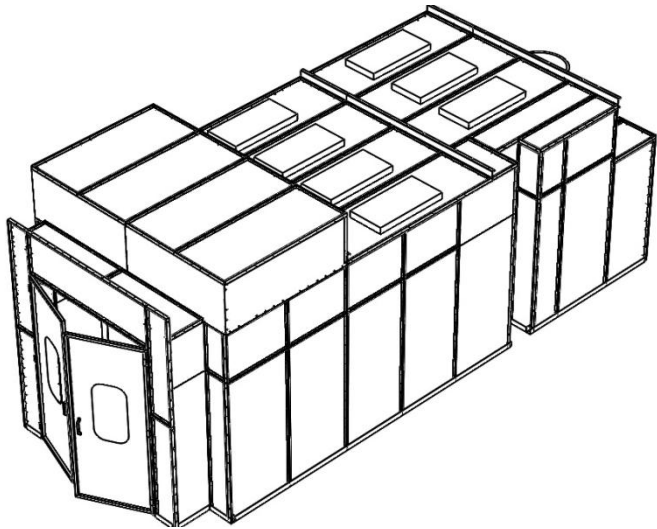
Medical



Muffin Pan Maker
Food

- Expertise Across Analog, Digital, & RF Signals:
- PCB Design Capabilities: Rigid & Flexible
- Wide Range of Footprint Creation: PLCC, BGA, QFN, etc.
- Cutting-Edge Technology: High-speed design, EMI/EMC compliance.
- Stringent Quality Assurance:

Engineering Designs: Diverse Industries

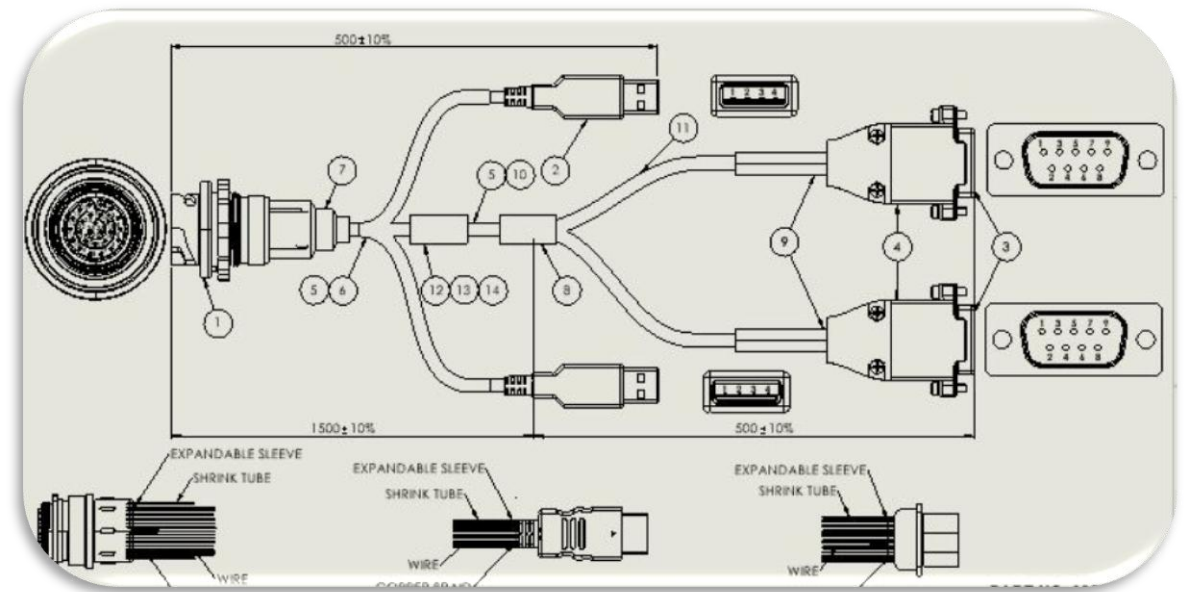
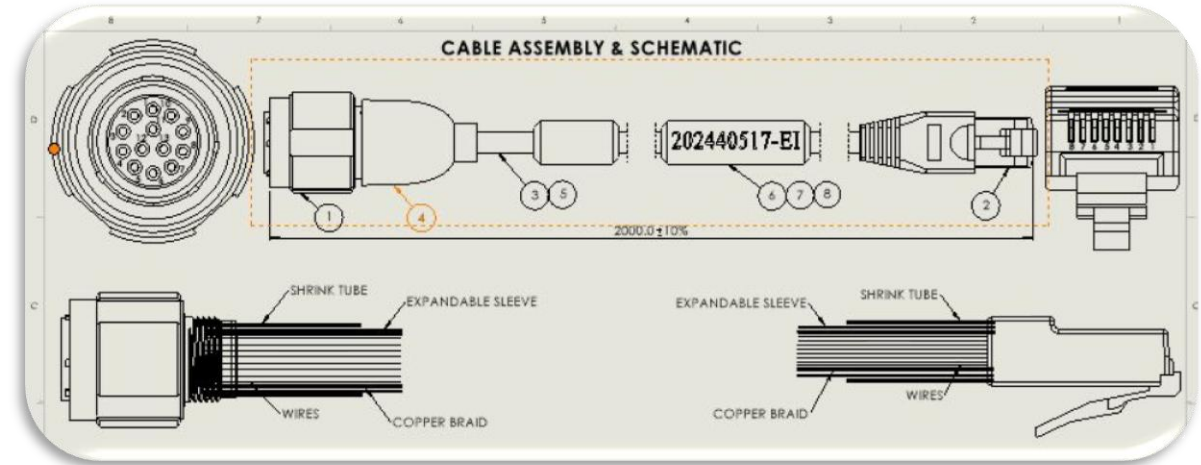


Industrial – Booths for Painting, Grinding

Factory Equipment - Large sized



Industrial Storage Tanks



Cabling & Schematic

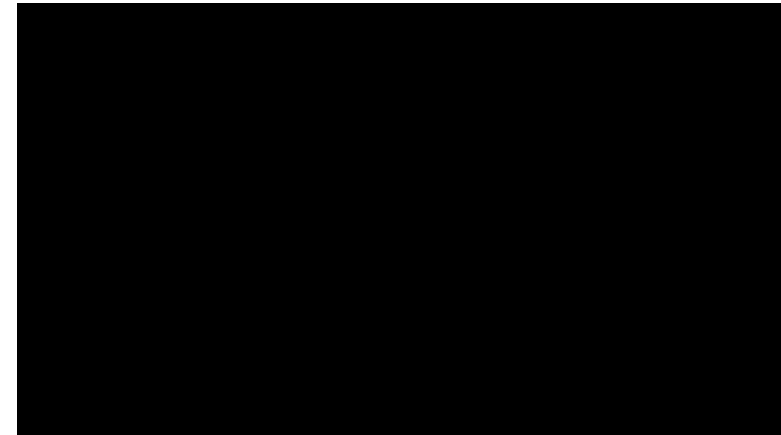
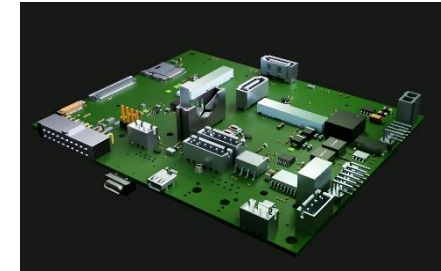
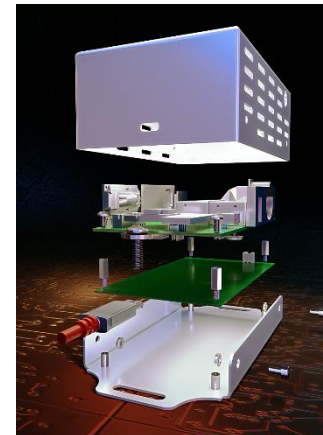
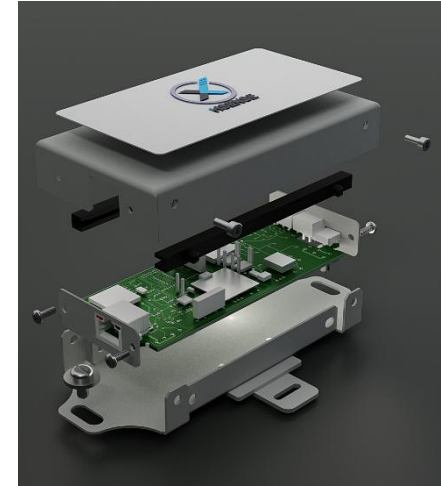
Training

- Live Project Based Training
- Online & Offline
- Individual & Combined
- Job Placement- ~ 3 interviews



Graphics

- Photo Realistic Renderings
- Product Launch Videos
- Augmented Reality



Thank you