



Since - 1984

" A Cooling System To Rely On "

AXIAL FANS

FOR

AIR HANDLING

AND

COOLING

SOLUTIONS

CE

C_{RU} US



2024



EXPORT AWARD



OFFICE



PLANT A



PLANT B



Since - 1984

“ A Cooling System To Rely On ”

Company's Profile

REXNORD® is Manufacturing Fans & Motors since 1984 and constantly Upgrading its quality and increasing its production by automation, in order to Compete in price with quality products.

40 Years Experience in Manufacturing Fans & Motors

- Products : **AC Axial DC Brushless EC Fan & Motor BLDC Motor,**
- Year 1984 : REXNORD (Established)
- Year 1994 : REXNORD® became Stock Listed
- Year 1997 : Got UL & CE approval
- Year 1998 : Started manufacturing Shaded Pole Motors
- Year 1998 : Awarded for Excellency in Export
- Year 2012 : Constructed 12,000 square meters Building (Plant A)
- Year 2013 : Implemented SAP
- Year 2014 : Started manufacturing External Rotor Motors & Metal Blade fans
- Year 2015 : Started manufacturing Energy Saving Fans and Motors
- Year 2015 : Received ONE STAR Export House certificate
- Year 2017 : Upgraded and Modernized Tool Room
- Year 2018 : ISO 9001-2015 Certification
- Year 2018 : Started manufacturing BLDC Motor
- Year 2019 : Atex Approval
- Year 2023 : Entered into New Product range of Domestic Fan
- Year 2023 : Constructed 12,000 square meters Building (Plant B)
- Year 2024 : Started Manufacturing of Large Axial Fans
- Other Features : Manufacturing capacity 5 million Motors.

Utilized capacity 3 million Motors.

80% Local sale and 20% Export.

Model No.	Part Code	Bearing	Voltage	Frequency	Current	Power	Speed	Airflow	Noise
	No.	○ Sleeve ● Ball	VAC	Hz	A	W	RPM	CFM	dB(A)

ALUMINIUM HOUSING WITH PLASTIC IMPELLER



4"

120 x 120 x 38 mm

REC - 22038 - A2T	AC001	○	230	50	0.10	18	2650	95	40
REC - 22038 - B2T	AC004	●	230	50	0.10	18	2700	100	40
REC - 22038 - A2W	AC002	○	230	50	0.10	18	2650	95	40
REC - 22038 - B2W	AC005	●	230	50	0.10	18	2700	100	40



6"

Ø172 x 150 x 51 mm

REC - 21725 - A2W	AC061	○	230	50	0.19	27	2600	190	50
REC - 21725 - B2W	AC062	●	230	50	0.19	27	2650	200	50



8"

Ø 220 x 60 mm

REC - 22060R - A2W	AC103	○	230	50	0.34	47	2300	380	55
REC - 22060R - B2W	AC101	●	230	50	0.34	47	2400	390	55

(R - Round Housing) (2 - 230 Volt) (A : B : - Sleeve / Ball Bearing) (T : W : - Terminal / Lead Wire)

ALUMINIUM HOUSING WITH METAL IMPELLER



4"

120 x 120 x 38 mm

REC - 12038 - B2T - MB	AC041	●	230	50	0.13	22	2700	105	41
REC - 12038 - B2W - MB	AC042	●	230	50	0.13	22	2700	105	41



6"

Ø172 x 150 x 55 mm

REC - 15055 - B2 - MB	AC081	●	230	50	0.28	38	2800	200	50
-----------------------	-------	---	-----	----	------	----	------	-----	----



8"

225 x 225 x 80 mm

REC - 22580 - B2 - MB	AC131	●	230	50	0.26	58	2650	550	56
-----------------------	-------	---	-----	----	------	----	------	-----	----



10"

280 x 280 x 80 mm

REC - 28080 - B2 - MB	AC141	●	230	50	0.42	91	2650	1100	58
-----------------------	-------	---	-----	----	------	----	------	------	----

(B : - Ball Bearing) (2 - 230 Volt) (T : W : - Terminal / Lead Wire) (MB : - Metal Blades)



Model No.	Part Code	Bearing	Voltage	Frequency	Current	Power	Speed	Airflow	Noise
	No.	○ Sleeve ● Ball	VAC	Hz	A	W	RPM	CFM	dB(A)

ALUMINIUM HOUSING WITH PLASTIC IMPELLER



3"

80 x 80 x 25 mm

EC - 8025 - A2W	EC001	○	230	50 / 60	0.02	2.4	3000	27	30
-----------------	-------	---	-----	---------	------	-----	------	----	----

120 x 120 x 38 mm



4"

EC - 12038 - S0W - AH	EC021	○	110~230	50 / 60	0.06	5.0	3000	120	41
-----------------------	-------	---	---------	---------	------	-----	------	-----	----

EC - 12038 - B0W - AH	EC022	●	110~230	50 / 60	0.06	5.0	3050	120	41
-----------------------	-------	---	---------	---------	------	-----	------	-----	----

EC - 12038 - S2W - AM	EC032	○	230	50 / 60	0.05	6.0	2900	110	41
-----------------------	-------	---	-----	---------	------	-----	------	-----	----

EC - 12038 - B2W - AM	EC034	●	230	50 / 60	0.05	6.0	2950	110	41
-----------------------	-------	---	-----	---------	------	-----	------	-----	----



6"

Ø172 x 150 x 51 mm

EC - 17251 - S2W - AM	EC063	○	230	50 / 60	0.11	12.0	2600	200	50
-----------------------	-------	---	-----	---------	------	------	------	-----	----

EC - 17251 - B2W - AM	EC064	●	230	50 / 60	0.11	12.0	2650	200	50
-----------------------	-------	---	-----	---------	------	------	------	-----	----

EC - 17251 - B0W - AH	EC061	●	110~230	50 / 60	0.12	15.0	3000	240	50
-----------------------	-------	---	---------	---------	------	------	------	-----	----



8"

Ø 220 x 60 mm

EC - 22060R - S0W - AL	EC072	○	110~230	50 / 60	0.17	20.0	2300	380	55
------------------------	-------	---	---------	---------	------	------	------	-----	----

EC - 22060R - B0W - AL	EC073	●	110~230	50 / 60	0.17	20.0	2400	390	55
------------------------	-------	---	---------	---------	------	------	------	-----	----

PLASTIC HOUSING WITH PLASTIC IMPELLER



4"

120 x 120 x 38 mm

EC - 12038 - S0W - PH	EC083	○	110~230	50 / 60	0.06	5.0	3000	120	41
-----------------------	-------	---	---------	---------	------	-----	------	-----	----

EC - 12038 - B0W - PH	EC082	●	110~230	50 / 60	0.06	5.0	3050	120	41
-----------------------	-------	---	---------	---------	------	-----	------	-----	----

EC - 12038 - S2W - PM	EC042	○	230	50 / 60	0.05	6.0	2900	110	41
-----------------------	-------	---	-----	---------	------	-----	------	-----	----

EC - 12038 - B2W - PM	EC044	●	230	50 / 60	0.05	6.0	2950	110	41
-----------------------	-------	---	-----	---------	------	-----	------	-----	----

(R - Round Housing) (A / S :- Sleeve, B :- Ball Bearing) (0 - 110-230 Volt) (2 - 230 Volt) (W - Lead Wire) (A - Aluminium & P - Plastic Housing) (L / M / H :- Low / Mid / High Speed)

DC BRUSHLESS FAN

Model No.	Part Code	Bearing	Voltage	Current	Power	Speed	Airflow	Noise
	No.	○ Sleeve ● Ball	VDC	A	W	RPM	CFM	dB(A)

PLASTIC HOUSING WITH PLASTIC IMPELLER



3"

80 x 80 x 25 mm

REC - 8025 - A12W - PH	DC018	○	12	0.12	1.4	3000	39	30
------------------------	-------	---	----	------	-----	------	----	----

ALUMINIUM HOUSING WITH PLASTIC IMPELLER



4"

120 x 120 x 38 mm

REC - 12038 - A12W - AH	DC031	○	12	0.36	4.4	3000	120	42
-------------------------	-------	---	----	------	-----	------	-----	----

REC - 12038 - B12W - AH	DC034	●	12	0.36	4.4	3050	120	42
-------------------------	-------	---	----	------	-----	------	-----	----

REC - 12038 - A24W - AH	DC032	○	24	0.15	3.6	3000	120	42
-------------------------	-------	---	----	------	-----	------	-----	----

REC - 12038 - B24W - AH	DC035	●	24	0.15	3.6	3050	120	42
-------------------------	-------	---	----	------	-----	------	-----	----



6"

Ø172 x 150 x 51 mm

REC - 17251 - B24W - AH	DC051	●	24	0.65	15.6	3000	240	55
-------------------------	-------	---	----	------	------	------	-----	----



8"

Ø220 x 60 mm

REC - 22060 - B24W - AM	DC071	●	24	1.00	24.0	2600	410	60
-------------------------	-------	---	----	------	------	------	-----	----

Specification Subject to Change Without Notice

(A : B :- Sleeve / Ball Bearing) (12 : 24 : 48 :- VDC) (W - Lead Wire) (P - Plastic Housing) (A - Aluminium Housing) (M : H :- Mid / High Speed)

Model No.	Part Code	Bearing	Voltage	Frequency	Current	Power	Speed	Airflow	Noise
	No.	○ Sleeve ● Ball	VAC	Hz	A	W	RPM	CFM	dB(A)

ALUMINIUM HOUSING WITH PLASTIC IMPELLER



6"

172 x 172 x 55 mm

REC - 27255 - A2W - AM	AC091	○	230	50	0.19	27	2600	190	50
REC - 27255 - B2W - AM	AC092	●	230	50	0.19	27	2650	200	50



8"

220 x 220 x 60 mm

REC - 22060S - A2W - AL	AC111	○	230	50	0.34	47	2300	380	55
REC - 22060S - B2W - AL	AC112	●	230	50	0.34	47	2400	390	55

(A : B :- Sleeve / Ball Bearing) (2 - 230 Volt) (W - Lead Wire) (A - Aluminium Housing) (M : L :- Mid / Low Speed)

EC FAN FRAME TYPE



Model No.	Part Code	Bearing	Voltage	Frequency	Current	Power	Speed	Airflow	Noise
	No.	○ Sleeve ● Ball	VAC	Hz	A	W	RPM	CFM	dB(A)

ALUMINIUM HOUSING WITH PLASTIC IMPELLER



6"

172 x 172 x 55 mm

EC - 27255 - S2W - AM	EC091	○	230	50	0.11	12	2600	190	50
EC - 27255 - B2W - AM	EC092	●	230	50	0.11	12	2650	200	50



8"

220 x 220 x 60 mm

EC - 22060 - S2W - AL	EC076	○	230	50	0.17	20	2300	380	55
EC - 22060 - B2W - AL	EC077	●	230	50	0.17	20	2400	390	55

(S : B :- Sleeve / Ball Bearing) (2 - 230 Volt) (W - Lead Wire) (A - Aluminium Housing) (M : L :- Mid / Low Speed)

PLASTIC HOUSING WITH PLASTIC IMPELLER



6"

172 x 172 x 55 mm

EC - 27255 - S2W - PM	EC068	○	230	50	0.11	12	2600	190	50
-----------------------	-------	---	-----	----	------	----	------	-----	----



8"

220 x 220 x 60 mm

EC - 22060 - S2W - PL	EC079	○	230	50	0.17	20	2300	380	55
-----------------------	-------	---	-----	----	------	----	------	-----	----

(S - Sleeve Bearing) (2 - 230 Volt) (W - Lead Wire) (P - Plastic Housing) (M : L :- Mid / Low Speed)

Model No.	Part Code	Output Power	Rotation	Bearing	Voltage	Frequency	Current	Input Power	Speed
	No.			○ Sleeve ● Ball	VAC	Hz	A	W	RPM

No Load Parameter

83 x 83 x 13 mm

REC - 8313-05 A2	QM001	5	CCW	○	230	50	0.20	26	1450
------------------	-------	---	-----	---	-----	----	------	----	------

83 x 83 x 20 mm

REC - 8320-10 A2	QM041	10	CCW	○	230	50	0.25	30	1450
------------------	-------	----	-----	---	-----	----	------	----	------

83 x 83 x 25 mm

REC - 8325-16 A2	QM081	16	CCW	○	230	50	0.46	53	1450
------------------	-------	----	-----	---	-----	----	------	----	------

83 x 83 x 30 mm

REC - 8330-18 A2	QM101	18	CCW	○	230	50	0.36	38	1450
------------------	-------	----	-----	---	-----	----	------	----	------

83 x 83 x 40 mm

REC - 8340-25 A2	QM111	25	CCW	○	230	50	0.44	47	1450
------------------	-------	----	-----	---	-----	----	------	----	------

83 x 83 x 45 mm

REC - 8345-34 A2	QM131	34	CCW	○	230	50	0.60	63	1450
------------------	-------	----	-----	---	-----	----	------	----	------

83 x 83 x 45 mm (D Cut Shaft)

REC - 8345-34 B2	QM132	34	CCW	●	230	50	0.58	59	1450
------------------	-------	----	-----	---	-----	----	------	----	------

(A : B :- Sleeve / Ball Bearing) (2 - 230 Volt)

EC MOTOR (ENERGY SAVING)

Model No.	Part Code	Rotation	Bearing	Voltage	Frequency	Current	Power	Speed
	No.		○ Sleeve ● Ball	VAC	Hz	A	W	RPM

No Load Parameter



EC - 3612-B0W-PL	EC101	CCW	●	110~230	50/60	0.03	2	1500
------------------	-------	-----	---	---------	-------	------	---	------

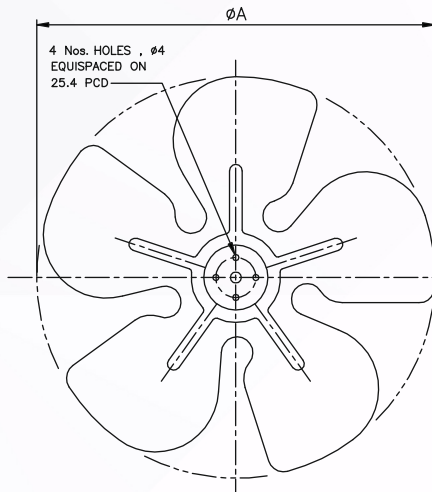
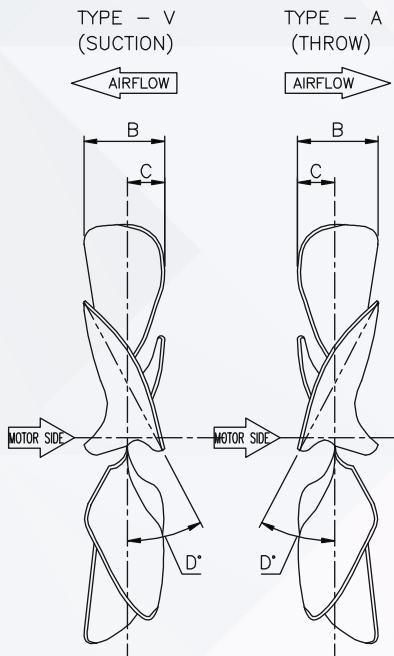
(B - Ball Bearing) (0 - 110~230 Volt) (W - Lead Wire) (P - Plastic Housing) (L - Low Speed)

Note : Fan Blade to be Used Ø 200, 230, 254 mm

Specification Subject to Change Without Notice

ALL DIMENSIONS ARE IN MM

Part Code	Part Code	Ø A	B	C	D (Angle)
V - Suction	A - Throw				
AI 014	AI 001	200	37.0	19.0	28°
AI 013	Not Available	200	45.0	20.0	34°
AI 016	Not Available	230	34.0	14.0	22°
AI 003	AI 002	230	42.0	20.0	28°
AI 004	Not Available	230	48.0	24.0	34°
AI 017	Not Available	254	36.0	14.0	22°
AI 006	AI 005	254	43.0	22.0	28°
AI 007	AI 012	254	52.0	25.0	34°
AI 009	AI 008	300	52.0	28.0	28°



FAN	Model / Watt a'	6120 4 W	6125 5 W	8313 5 W	8320 7 W	8320 10 W	8325 16 W	8330 18 W	8340 25 W	8345 34 W
	Ø 200			28°	34°	34°				
	Ø 230				28°	28°	34°	34°		
	Ø 254					22°	28°	28°	34°	34°
	Ø 300								28°	28°



Model No. REC	Part Code No	Size in Inch	Poles	Phase	Voltage VAC	Current A	Power W	Speed RPM	Air Flow CFM	Noise dB (A)
2E-200 V	FG-LAF 001	8	2	Single	230	0.26	60	2650	520	51
2E-200 A	FG-LAF 002	8	2	Single	230	0.26	60	2650	520	51
4E-200 V	FG-LAF 003	8	4	Single	230	0.12	28	1450	285	42
4E-200 A	FG-LAF 004	8	4	Single	230	0.12	28	1450	285	42
2E-250 V	FG-LAF 005	10	2	Single	230	0.48	108	2525	1040	61
2E-250 A	FG-LAF 006	10	2	Single	230	0.48	108	2525	1040	61
4E-250 V	FG-LAF 007	10	4	Single	230	0.14	33	1400	580	49
4E-250 A	FG-LAF 008	10	4	Single	230	0.14	33	1400	580	49
2E-300 V	FG-LAF 009	12	2	Single	230	0.55	125	2400	1375	61
2E-300 A	FG-LAF 010	12	2	Single	230	0.55	125	2400	1375	61
4E-300 V	FG-LAF 011	12	4	Single	230	0.35	75	1400	1110	50
4E-300 A	FG-LAF 012	12	4	Single	230	0.35	75	1400	1110	50
4E-350 V	FG-LAF 013	14	4	Single	230	0.48	110	1400	1550	54
4E-350 A	FG-LAF 014	14	4	Single	230	0.48	110	1400	1550	54
4D-350 V	FG-LAF 015	14	4	Three	415	0.27	115	1400	1550	54
4D-350 A	FG-LAF 016	14	4	Three	415	0.27	115	1400	1550	54
4E-400 V	FG-LAF 017	16	4	Single	230	0.70	165	1400	2375	61
4E-400 A	FG-LAF 018	16	4	Single	230	0.70	165	1400	2375	61
4D-400 V	FG-LAF 019	16	4	Three	415	0.42	185	1400	2375	61
4D-400 A	FG-LAF 020	16	4	Three	415	0.42	185	1400	2375	61
4E-450 V	FG-LAF 021	18	4	Single	230	1.00	245	1400	3250	62
4E-450 A	FG-LAF 022	18	4	Single	230	1.00	245	1400	3250	62
4D-450 V	FG-LAF 023	18	4	Three	415	0.50	260	1400	3250	62
4D-450 A	FG-LAF 024	18	4	Three	415	0.50	260	1400	3250	62
4E-500 V	FG-LAF 025	20	4	Single	230	1.55	370	1340	4250	67
4E-500 A	FG-LAF 026	20	4	Single	230	1.55	370	1340	4250	67
4D-500 V	FG-LAF 027	20	4	Three	415	1.00	440	1430	4350	67
4D-500 A	FG-LAF 028	20	4	Three	415	1.00	440	1430	4350	67
4E-550 V	FG-LAF 029	22	4	Single	230	2.35	590	1320	5030	68
4E-550 A	FG-LAF 030	22	4	Single	230	2.35	590	1320	5030	68
4D-550 V	FG-LAF 031	22	4	Three	415	1.10	490	1420	5260	68
4D-550 A	FG-LAF 032	22	4	Three	415	1.10	490	1420	5260	68
4E-600 V	FG-LAF 033	24	4	Single	230	3.00	690	1380	5929	70
4E-600 A	FG-LAF 034	24	4	Single	230	3.00	690	1380	5929	70
4D-600 V	FG-LAF 035	24	4	Three	415	1.40	755	1390	6498	70
4D-600 A	FG-LAF 036	24	4	Three	415	1.40	755	1390	6498	70
4E-630 V	FG-LAF 037	25	4	Single	230	3.60	750	1380	7950	75
4E-630 A	FG-LAF 038	25	4	Single	230	3.60	750	1380	7950	75
4D-630 V	FG-LAF 039	25	4	Three	415	1.60	815	1350	7350	72
4D-630 A	FG-LAF 040	25	4	Three	415	1.60	815	1350	7350	72

BACKWARD CURVED FAN

2E 190	BCF001	∅190mm	2	Single	230	0.24	56	2500	335	60
2E 220	BCF002	∅220mm	2	Single	230	0.38	87	2575	500	65
2E 250	BCF003	∅250mm	2	Single	230	0.65	155	2600	840	75

E = Single Phase D = Three Phase * Available in Throw (A) & Suction (V)

Specification Subject to Change Without Notice

OUR CLIENTS

VOLTAS
A TATA Enterprise



Havmor
ICE CREAM



SIEMENS



adani





PRESENCE IN INDIA



WORLD WIDE PRESENCE

Australia	Bahrain	Denmark	Egypt
Indonesia	Morocco	Italy	Kuwait
Malaysia	Saudi Arabia	Oman	Qatar
Russia	South Africa	Spain	Sri Lanka
Singapore	U. K.	Thailand	Turkey
U.A.E.			

PRESENCE IN INDIA

Ahmedabad	Bhubaneswar	Gandhidham	Kanpur	Patna	Rishikesh
Ahmednagar	Chandigarh	Faridabad	Kolkata	Panipat	Secunderabad
Amritsar	Chennai	Goa	Kolhapur	Palghar	Silvassa
Amreli	Coimbatore	Gurugram	Ludhiana	Ponducherry	Surat
Ankleshwar	Cochin	Guwahati	Lucknow	Pune	Trivandrum
Aurangabad	Daman	Hyderabad	Mumbai	Raipur	Udaipur
Baddi	Dehradun	Indore	Navi Mumbai	Rourkela	Viluppuram
Baroda	Delhi	Jaipur	Nashik	Rajkot	Visakhapatnam
Bangalore	Ernakulam	Jamshedpur	Noida	Ranchi	



Since - 1984

" A Cooling System To Rely On "



Rexnord Electronics & Controls Ltd



H.O. : 92 - D, Govt.Indl.Est., Charkop, Kandivali (W) Mumbai - 400067, INDIA.
www.rexnordindia.com info@rexnordindia.com