



Idea is a calling...

Minchu Products & Services LLP

Krishna. P

Our Expertise and Offerings

1

Product Design

- Creative concepts

2

Engineering Design

- Technical functionality

3

Training

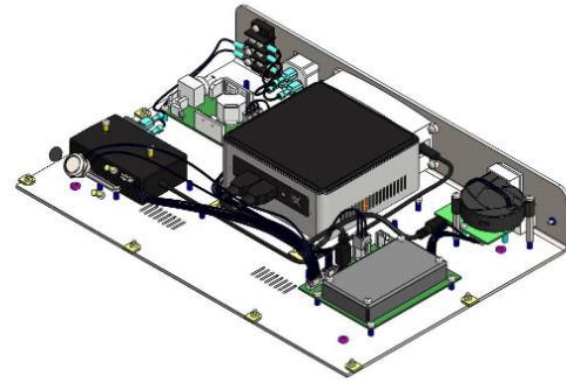
- Knowledge Enhancement

4

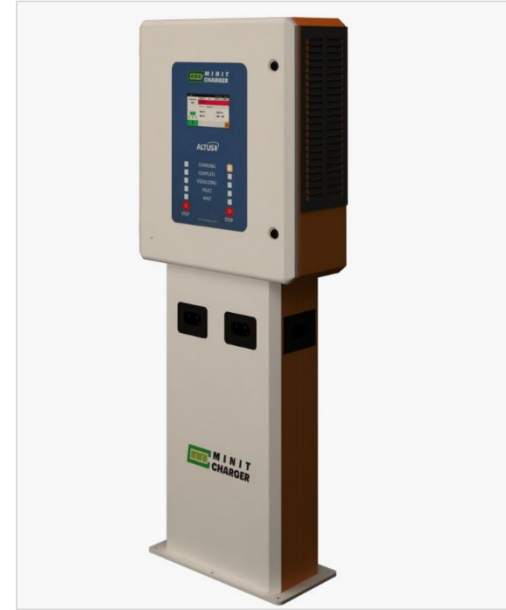
Graphic Design

- Interactive Graphics

Product Designs: Diverse Industries



Enclosure - Medical Device



EV- Charging Station



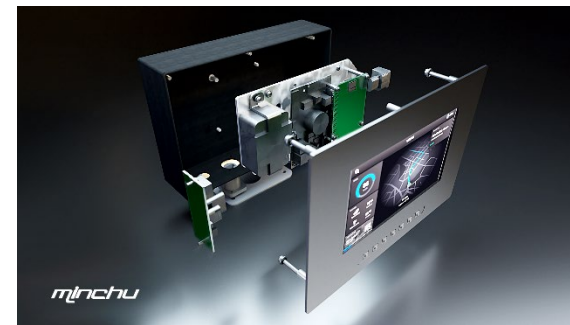
Racks - Servers, Tools
IT & Manufacturing



Electronic Enclosures
- Defence

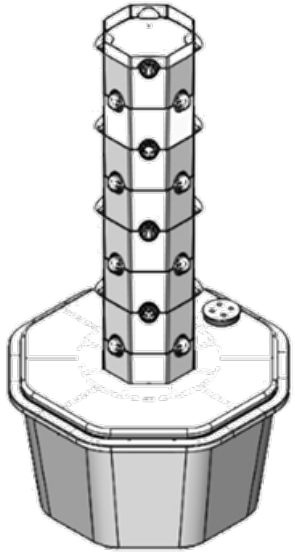


Display Stand
- Retail

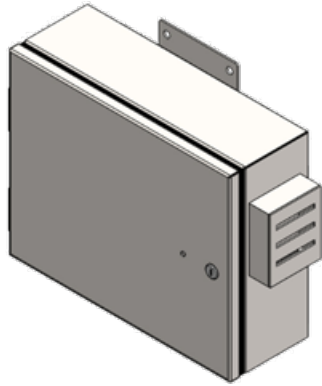


Driver Console
-Automobile

Product Designs: Diverse Industries



Hydroponics



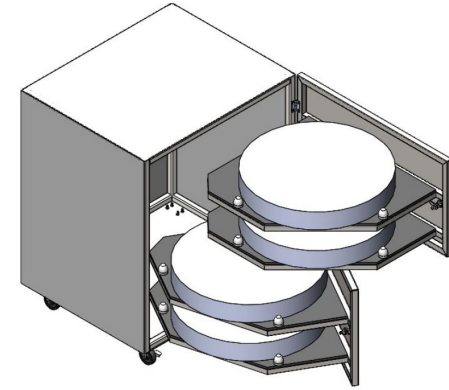
Soil Moisture
Measurer



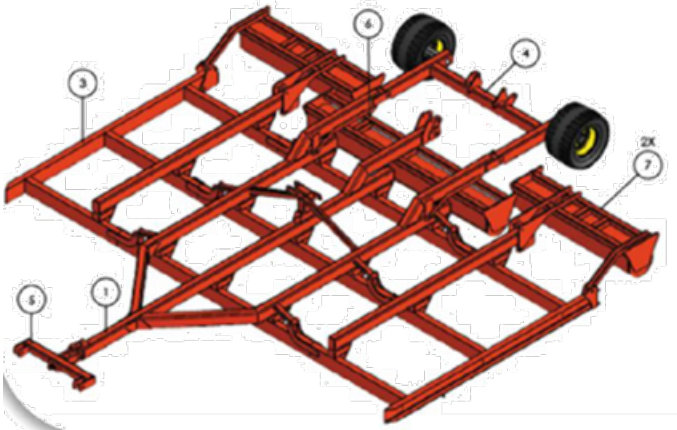
Out door Gym Equipment



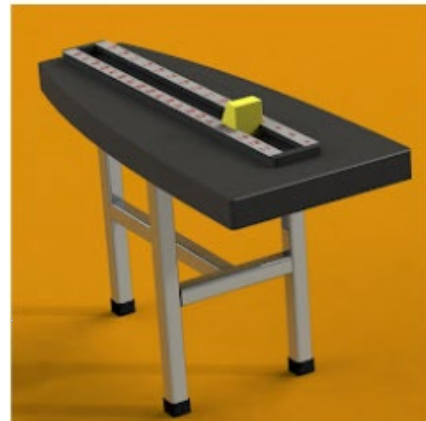
Trolley



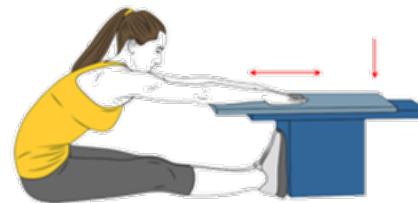
Cabinets



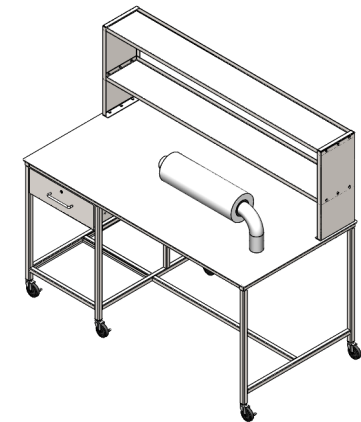
Agriculture related Products



Sit & Reach

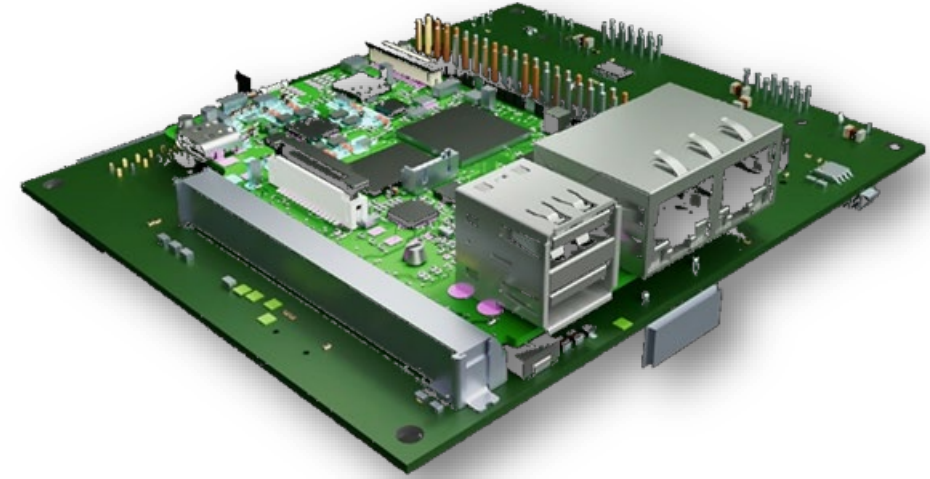
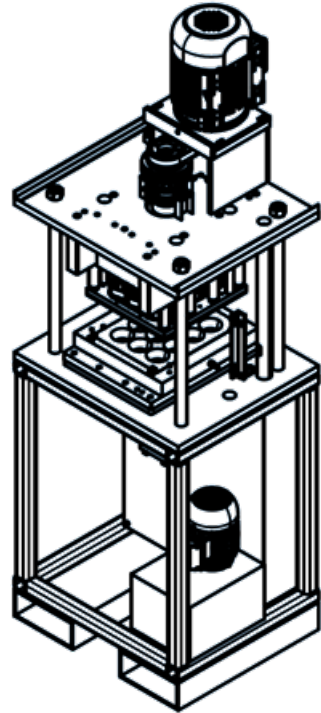
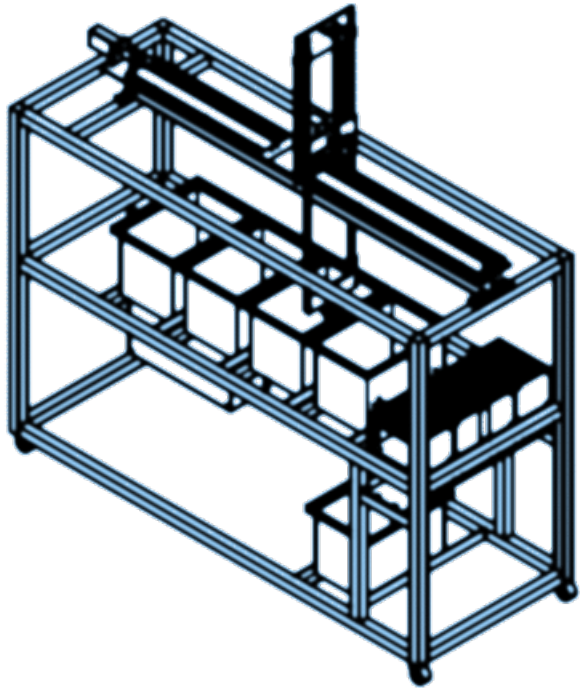


Sports & Fitness



Common Products
Automotive, Medical, Food Industry

Engineering Designs: Diverse Industries



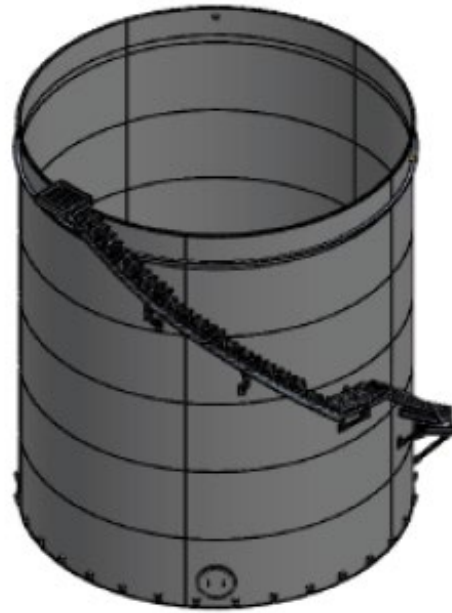
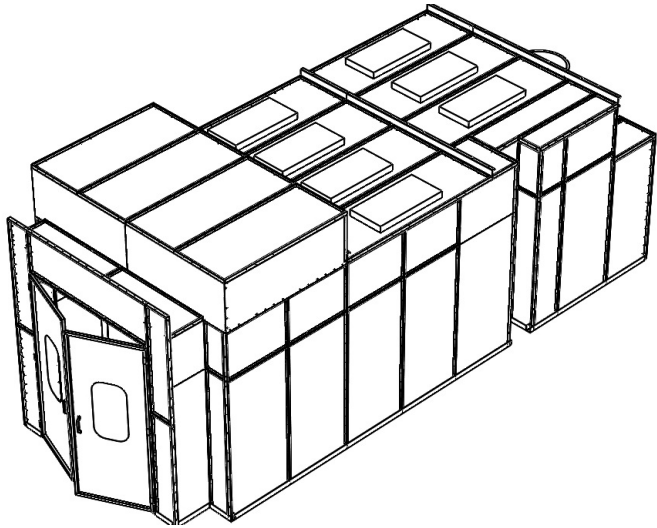
Electro polish – Bone Drilling Bits
Medical



Muffin Pan Maker
Food

- Expertise Across Analog, Digital, & RF Signals:
- PCB Design Capabilities: Rigid & Flexible
- Wide Range of Footprint Creation: PLCC, BGA, QFN, etc.
- Cutting-Edge Technology: High-speed design, EMI/EMC compliance.
- Stringent Quality Assurance:

Engineering Designs: Diverse Industries



Industrial – Booths for
Painting, Grinding



Industrial Storage Tanks

Factory Equipment - Large sized

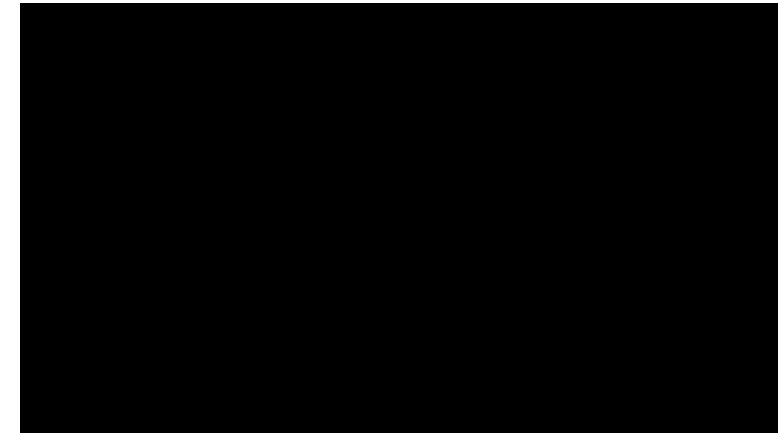
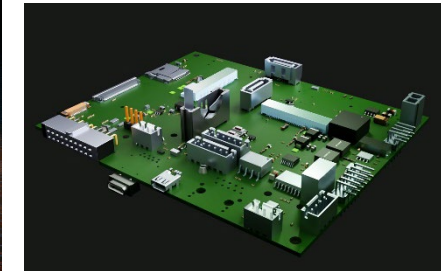
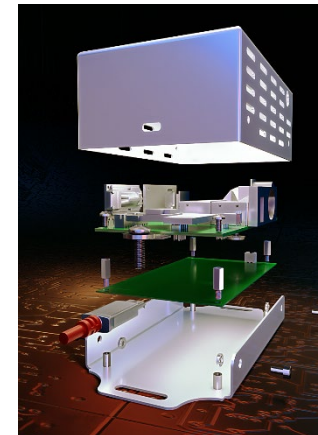
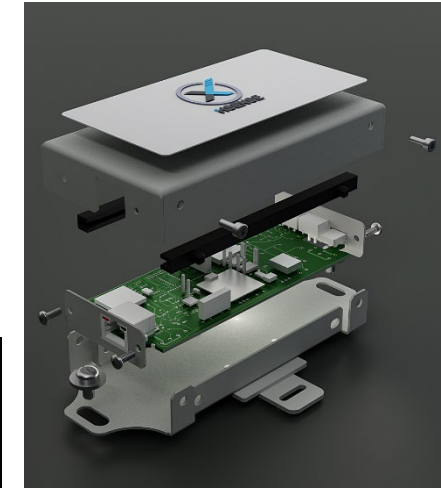
Training

- Live Project Based Training
- Online & Offline
- Individual & Combined
- Job Placement- ~ 3 interviews



Graphics

- Photo Realistic Renderings
- Product Launch Videos
- Augmented Reality



Thank you